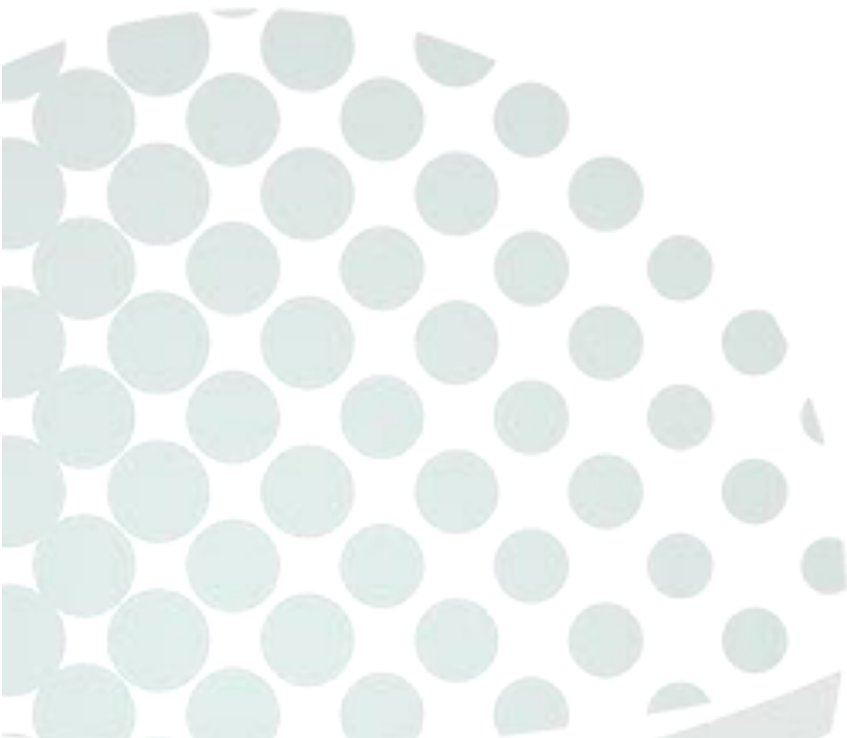


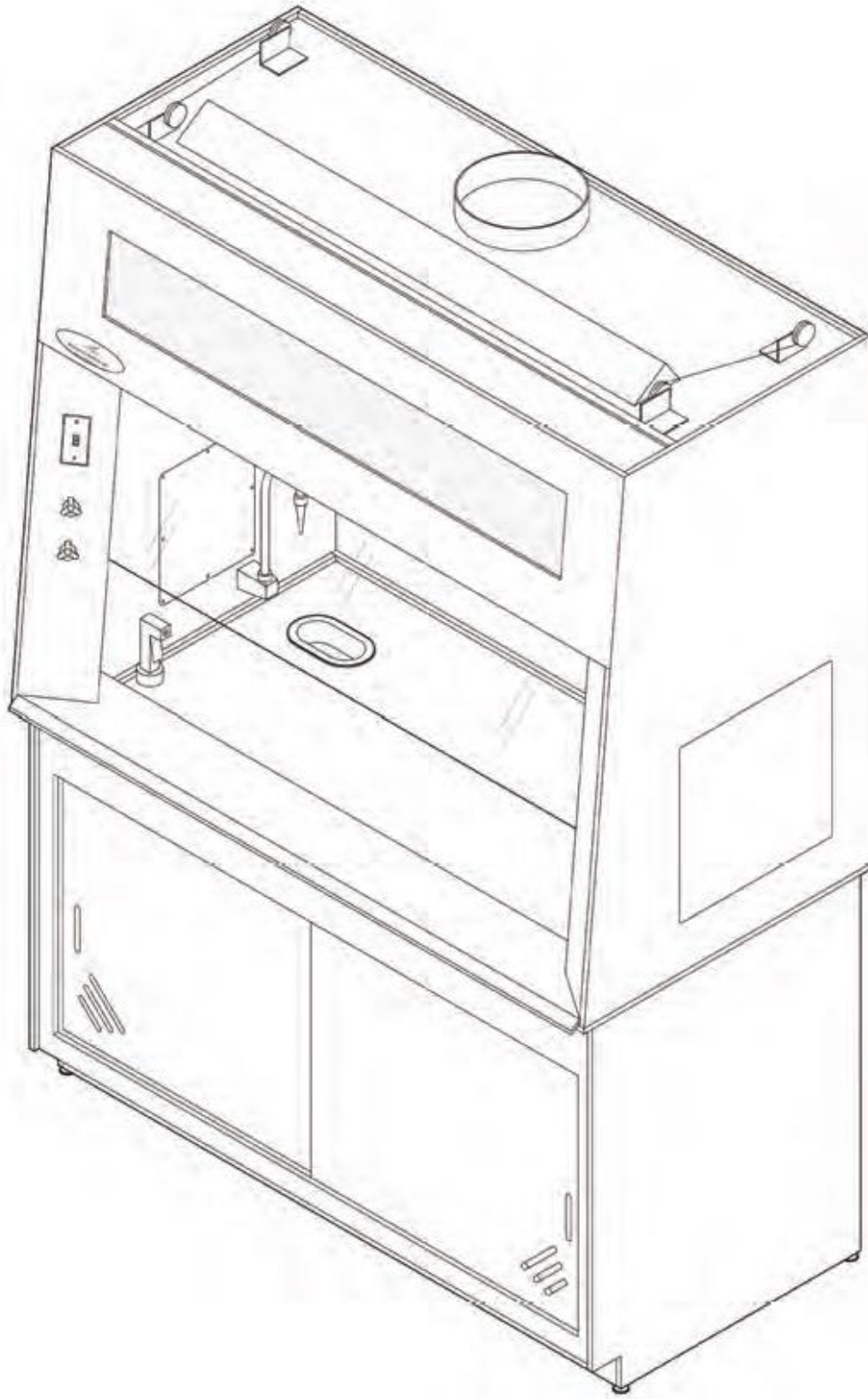


FUME HOOD

Installation and Operations Manual



DFMZ
DESIGN FILTRATION MICROZONE



MODELS COVERED

PPF3	PPF4
PPF5	PPF6
PPF8	

TABLE OF CONTENTS

MODELS COVERED	3
1. SHIPPING AND UN-CRATING	4
2. INSTALLATION	4
3. CHANGING THE FLUORESCENT LIGHT	6
4. ALARM PACKAGE (OPTIONAL)	6
5. CHANGING WINDOW SASH CABLES	6
6. SERVICE HOOK-UPS	6
7. MODEL NUMBER	6
8. DIMENSIONS	7
9. WARRANTY	7

Thank you for purchasing our Fume Hood, with proper care and maintenance your hood will provide you with many years of trouble free performance. Please read instructions carefully before installing and operating your Fume Hood.

WARNING: TO REDUCE RISK OF FIRE, ELECTRIC SHOCK, OR INJURY TO PERSONS PLEASE REVIEW THE FOLLOWING PRECAUTIONS.

- Do not expose your Fume Hood to rain or moisture.
- Always disconnect the Fume Hood from power supply when servicing, moving parts may cause serious injury.
- Always disconnect while grasping the plug, not the cord.
- Do not expose Fume Hood to gaseous or explosive vapors. Motors normally spark and may ignite fumes.
- Do not block airflow to top or back of unit, allow at least 5" above unit
- Do not modify the plug of your hood if it will not fit in your duplex outlet. Have a proper outlet installed by a qualified electrician.
- Use only specified replacement parts recommended by Design Filtration Microzone.
- Use this equipment only in the manner intended by Design Filtration Microzone.

1. SHIPPING AND UN-CRATING

Your Fume Hood is normally shipped in two sections; smaller units may come fully assembled. Units should be stored in heated conditions of between 4°C (40°F) and 32°C (90°F) to avoid undue structural fatigue and damage.

On occasion, damage can occur during the transportation of your new Fume Hood. You should inspect your unit for damage that may have been caused and report it immediately to your transportation company.

The Fume Hood is shipped to your facility strapped onto a skid. Remove the protective plastic and/or cardboard from the exterior of the unit, and carefully cut the nylon strapping with a sharp knife or scissors. Remove all pieces from the skid and place near installation area.

All shipments are F.O.B. Design Filtration Microzone. All claims for damage due to shipping should be filed with the carrier. Design Filtration Microzone and its dealers are not responsible for shipping damages.

2. INSTALLATION

Once in location and exhaust is connected it is recommended that your hood tested by an independent testing organization with technicians trained in the evaluation and maintenance of exhaust equipment. Always use safe lifting guidelines when installing your hood on a base frame or existing work bench.

Do not use a lift truck when moving your Fume Hood. Leave your hood on the shipping skid until it is in its final installation location. Never lift from the centre of the hood. Allow hood to acclimatize to room temperature, before installation.

WARNING:

**ALLOW 24 HRS FOR HOOD TO
ACCLIMATIZE BEFORE
INSTALLATION, TO PREVENT
DAMAGE TO HOOD.**

WARNING:

**ALWAYS LIFT FROM THE OUTSIDE
EDGES OF HOOD TO PREVENT
DAMAGE.**

**DO NOT USE FORK LIFT ON CENTER
OF HOOD.**

Your Fume Hood is shipped to you in two pieces. To start, locate the base frame as close to the final area as possible, allowing enough space for the head section and personnel to move freely around the front or back.

Place the wood blocks supplied, at the corners of the work surface, as shown in Figure 2.1. Raise the head section keeping as straight as possible. Move head section over base, and gently lower on the wood pieces, avoiding damage to fingers. Lifting one end at a time remove wood spacers and lower to base section, aligning connection screws. Silicone all contact surfaces to provide a good waterproof seal.

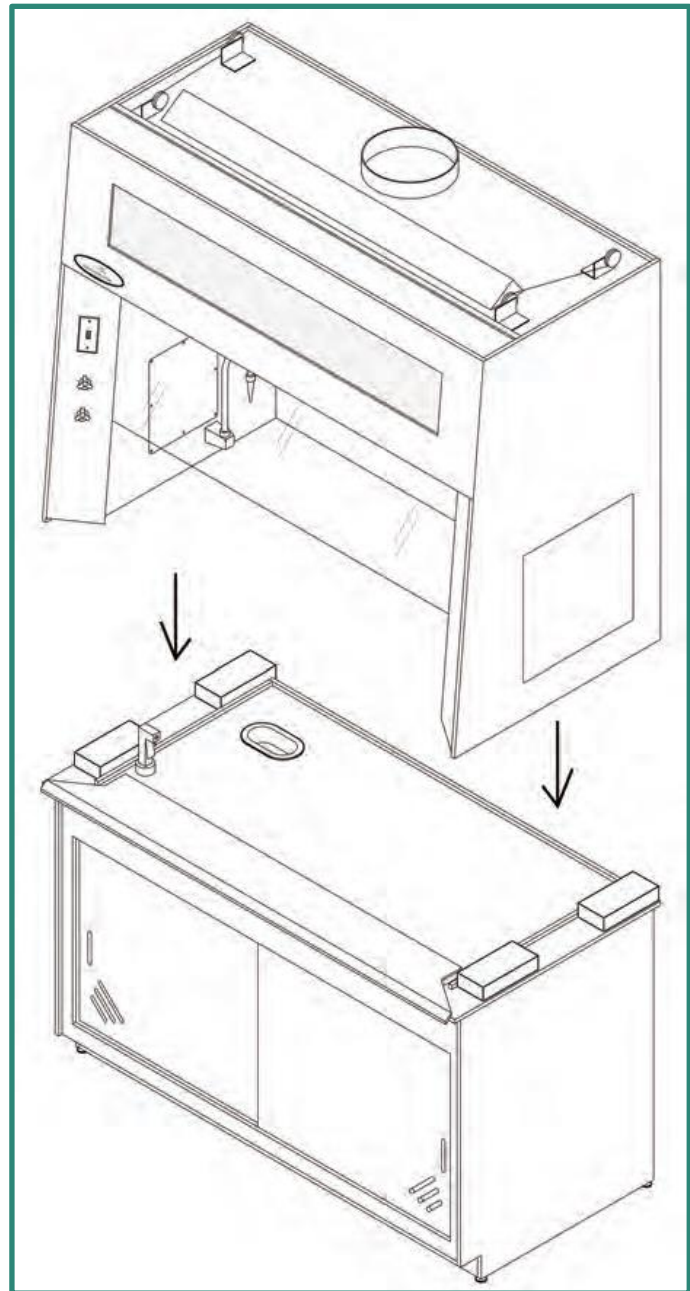


Figure 2.1

3. CHANGING THE FLUORESCENT LIGHT

The light fixture on the Fume Hood is mounted with a hinge. To change the light tubes, lift the fixture up at the top of the hood. Carefully remove the tube and install a new tube that is same type and color as the original supplied.

4. ALARM PACKAGE (OPTIONAL)

The alarm package is designed to continuously monitor airflow through the Fume Hood. It provides both a visual and audible alarm to alert users of abnormal airflow conditions. The alarm will be calibrated to the specific conditions of your hood. A green light indicates a normal airflow. A red light along with an audible horn indicates the airflow has dropped below the calibrated setting.

When no alarm condition is present, the alarm can be tested by pressing the TEST / RESET button. While the button is pressed, the indicator and horn will be activated. The horn can be disabled under any operating conditions, by pressing the keypad for more than 5 seconds. To reactivate the horn, make a single, momentary press on the keypad.

Alarm packages can be supplied to match customers own brand or requirements.

5. CHANGING WINDOW SASH CABLES

Should the event of a sash cable replacement be required lift the window as high as possible and support with two wooden studs cut to length. Remove the interior side panels (LHS and RHS), remove the old cable and support the weight with a temporary 2" high stand (this will compensate for stretching of the cable later). Attach new c" dia. polypropylene rope, with a rating of at least 45lbs, to window end first. Thread through pulleys and secure around weight eyelet with cable as tight as possible.

Always change both ropes at the same time. Consult factory for full rope specifications.

Please note: All current units utilize coated stainless steel cables and should not need changing.

6. SERVICE HOOK-UPS

The service hook up panel is located at the rear of the hood. Attach the service supplies to the corresponding connectors labeled on the hood.

We offer various lines of VAV and CV controllers to suit your needs and existing systems.

7. MODEL NUMBER

The model number is located on the front panel in the lower right hand corner. The serial number and electrical information is also included on this label. Refer to these numbers when contacting the manufacturer.

8. DIMENSIONS

Model	Exterior Dimensions (W x D x H)	Electrical*
PPF3	36" x 31 ¾" x 84"	115V, 0.46A, 60Hz
PPF4	48" x 31 ¾" x 84"	115V, 0.54A, 60Hz
PPF5	60" x 31 ¾" x 84"	115V, 0.54A, 60Hz
PPF6	72" x 31 ¾" x 84"	115V, 0.54A, 60Hz
PPF8	96" x 31 ¾" x 84"	115V, 1.08A, 60Hz

* Includes lights only. Duplex Outlets run on a separate circuit.

For size and weight of shipping crates, contact manufacturer.

9. WARRANTY

Design Filtration Microzone warrants the equipment to be free of defects in materials and workmanship from the date of invoice. The Fume Hood shall be warranted against defects for a period of three years. Any units or parts found to be defective during this period will be replaced or repaired at our discretion. The buyer agrees to assume all transportation charges prepaid for return of unit to factory for repair. Design Filtration Microzone will not accept charges for removal or re-installation.

Design Filtration Microzone will not accept any returned items without prior written consent. Design Filtration Microzone is not responsible for repair or replacement by misuse or abuse by incorrect operating procedures of its equipment. Any modifications or changes made to equipment by customer without written consent of Design Filtration Microzone will void the warranty.

Model number and serial number located on your Fume Hood must be provided to verify invoice date. Failure to provide will void warranty.

FOR FURTHER INFORMATION, PLEASE CONTACT US DIRECTLY.

Design Filtration Microzone Inc., 86 Harry Douglas Drive, Ottawa, ON. K2S 2C7
 T: 1-888-636-8609 (Canada & USA), T: 1-613-831-8318, F: 1-613-831-8321
info@dfmzgroup.com